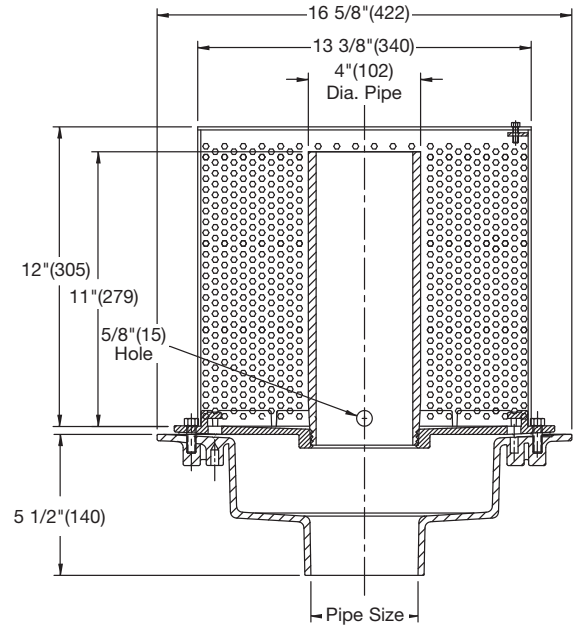


Green Roof Drains

GRD-640 Green Roof Metered Overflow Drain

Model Number	Outlet Size	WT., lbs.	List Price
GRD-642, 3, 4, 5, 6, 8, 10	2,3,4,5,6,8,10"	37	\$2,375.00

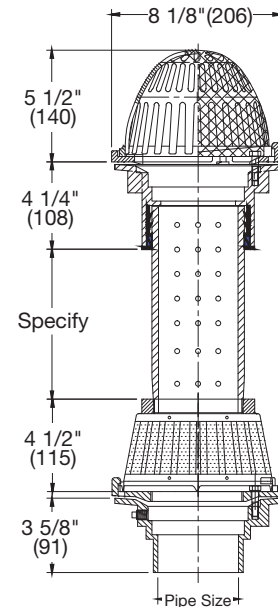


Options for GRD-640

Suffix	Description	List Price
-13	Galvanized Body & Clamp	\$956.50
-B	Sump Receiver	268.50
-D	Underdeck Clamp	240.50
-F	Deck Flange/Adj. Extension	659.50

GRD-650 Green Roof Multi-Level Planter Drain

Model Number	Outlet Size	WT., lbs.	List Price
GRD-652, 3, 4,	2,3,4,"	29	\$2,268.50



Options for GRD-650

Suffix	Description	List Price	Suffix	Description	List Price
-5	Sediment Bucket	\$138.50	-D	Underdeck Clamp	\$149.00
-6	Vandal Proof	147.00	-F	Deck Flange/Adj. Extension	500.00
-13	Galvanized Body & Clamp	394.00	-S0	Side Outlet	218.00
-B	Sump Receiver	256.00			